

## Stainless Steel Freezer Racks

### I. APPLICATIONS

1. Storage and organization of 2" and 1" standard freezer boxes.

### II. FEATURES

1. Fully functional Freezer Rack is constructed of corrosion-resistant stainless steel with slide drawer
2. Includes colored labels for drawer/sample identification
3. Includes pull-out handles for easy removal off the shelf
4. Optimize Freezer and Liquid Nitrogen Storage Space
5. Ideal for storage of 2" and 1" standard size boxes
6. Fits most standard upright freezers

### III. SLIDE DRAWER FREEZER RACKS DESIGN

1. The racks are available in 4 drawers, 5 drawers and 6 drawers etc.
2. Fit for 2" and 1" standard Freezer Boxes.
3. Holds 16 boxes, 20 boxes and 24 boxes etc.
4. Has three dimensions: 564\*140\*225(mm), 564\*140\*282(mm), 564\*140\*335(mm)

### IV. PACKAGING

1. Slide Drawer Freezer Racks: 1 piece/case.

### V. DESCRIPTION

Item	Description	Packaging	Sterile
99-1124	Slide Drawer Freezer Racks, Stainless steel, 6 Drawers,	1 Piece/Case	No
99-1128	Slide Drawer Freezer Racks, Stainless steel, 7 Drawers,	1 Piece/Case	No
99-1132	Slide Drawer Freezer Racks, Stainless steel, 8 Drawers,	1 Piece/Case	No
99-2118	FrameType Freezer Racks, Stainless steel, 6 layers, 3*6,	1 Piece/Case	No
99-2120	FrameType Freezer Racks, Stainless steel, 5 layers, 4*5,	1 Piece/Case	No
99-2120	FrameType Freezer Racks, Stainless steel, 7 layers, 3*7,	1 Piece/Case	No
99-2124	FrameType Freezer Racks, Stainless steel, 6 layers, 4*6,	1 Piece/Case	No
99-2128	FrameType Freezer Racks, Stainless steel, 7 layers, 4*7,	1 Piece/Case	No
99-2132	FrameType Freezer Racks, Stainless steel, 8 layers, 4*8,	1 Piece/Case	No
99-1216	Slide Drawer Freezer Racks, Stainless steel, 4 Drawers,	1 Piece/Case	No
99-1220	Slide Drawer Freezer Racks, Stainless steel, 5 Drawers,	1 Piece/Case	No
99-1224	Slide Drawer Freezer Racks, Stainless steel, 6 Drawers,	1 Piece/Case	No
99-5212	Slide Drawer Freezer Racks, For Side Access	1 Piece/Case	No
99-5215	Slide Drawer Freezer Racks, For Side Access	1 Piece/Case	No
99-5216	Slide Drawer Freezer Racks, For Side Access	1 Piece/Case	No
99-5220	Slide Drawer Freezer Racks, For Side Access	1 Piece/Case	No
99-2212	FrameType Freezer Racks, Stainless steel, 3*4	1 Piece/Case	No

99-2215	FrameType Freezer Racks, Stainless steel, 3*5	1 Piece/Case	No
99-2216	FrameType Freezer Racks, Stainless steel, 4*4	1 Piece/Case	No
99-2220	FrameType Freezer Racks, Stainless steel, 4*5	1 Piece/Case	No
99-2224	FrameType Freezer Racks, Stainless steel, 4*6	1 Piece/Case	No
99-6207	Vertical Type Freezer Rack, Stainless steel, 1*7	1 Piece/Case	No
99-6209	Vertical Type Freezer Rack, Stainless steel, 1*9	1 Piece/Case	No
99-6210	Vertical Type Freezer Rack, Stainless steel, 1*10	1 Piece/Case	No
99-6211	Vertical Type Freezer Rack, Stainless steel, 1*11	1 Piece/Case	No
99-6212	Vertical Type Freezer Rack, Stainless steel, 1*12	1 Piece/Case	No
99-6213	Vertical Type Freezer Rack, Stainless steel, 1*13	1 Piece/Case	No

## VI. STERILITY

1. N/A

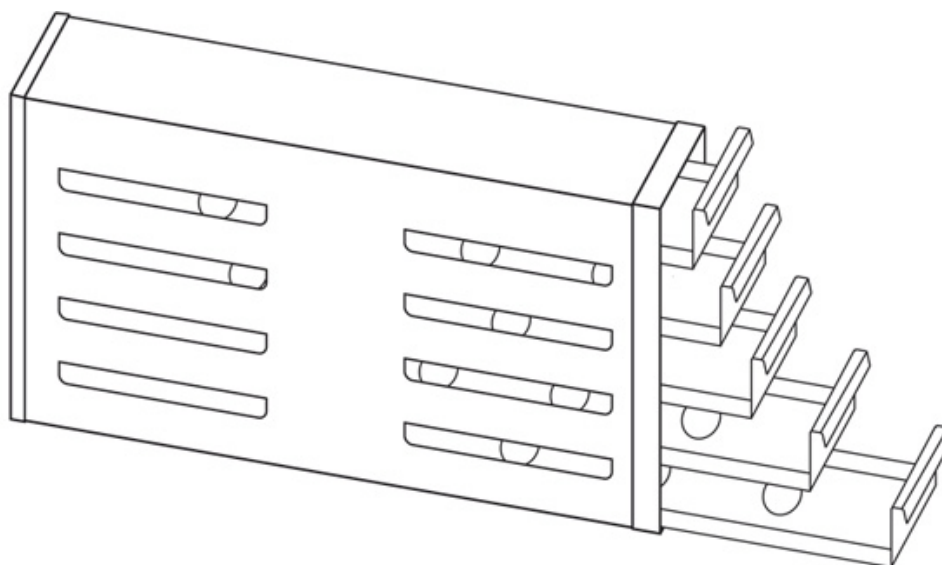
## VII. CERTIFICATION

Biologix products are manufactured completely according to the TUV ISO 9001:2008 standard.

## VIII. Common Freezer Matching

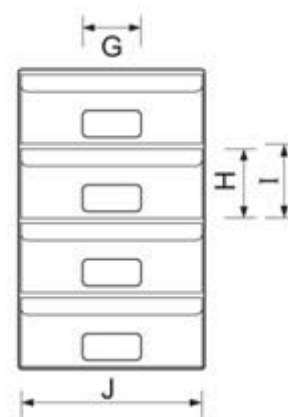
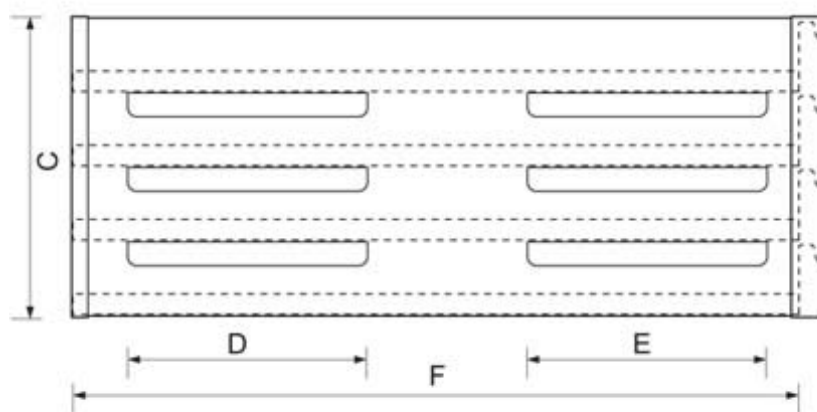
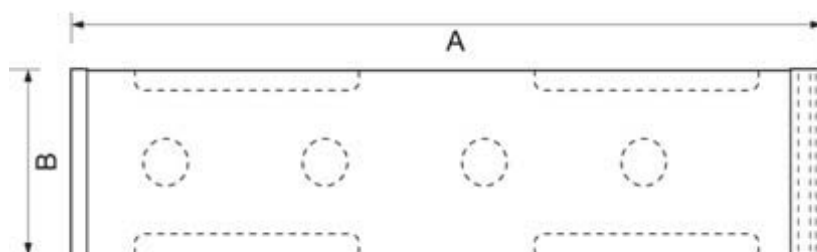
Brand/Catalog#	2''boxes Plan	2''boxes Plan	2''boxes Plan	Capacity (boxes)	1''boxes Plan	1''boxes Plan	Capacity (boxes)
SANYO MDF-U74V	12*99-1220 12*99-1224	24*99-5220	12*99-2220 12*99-2224	528	24*99-1132	24*99-2132	768
SANYO MDF-U53V	8*99-1220 8*99-1224	16*99-5220	8*99-2220 8*99-2224	352	8*99-1132 8*99-1128	16*99-2132	480
Thermo 907	24*99-1220	24*99-5220	24*99-2220	480	24*99-1128	24*99-2128	672
Thermo 705	16*99-1220	16*99-5220	16*99-2220	320	16*99-1128	16*99-2128	448
Haier DW-86L628	20*99-1216	20*99-5216	20*99-2216	320	20*99-1124	20*99-2124	480
Haier DW-86L728	24*99-1220	24*99-5220	24*99-2220	480	24*99-1128	24*99-2128	672
Eppendorf U410	15*99-1216	15*99-5216	15*99-2216	240	15*99-1124	15*99-2124	360
Eppendorf U570	25*99-1216	25*99-5216	25*99-2216	400	25*99-1124	25*99-2124	600

## IX. PRODUCT PARAMETER



Dimensions=mm

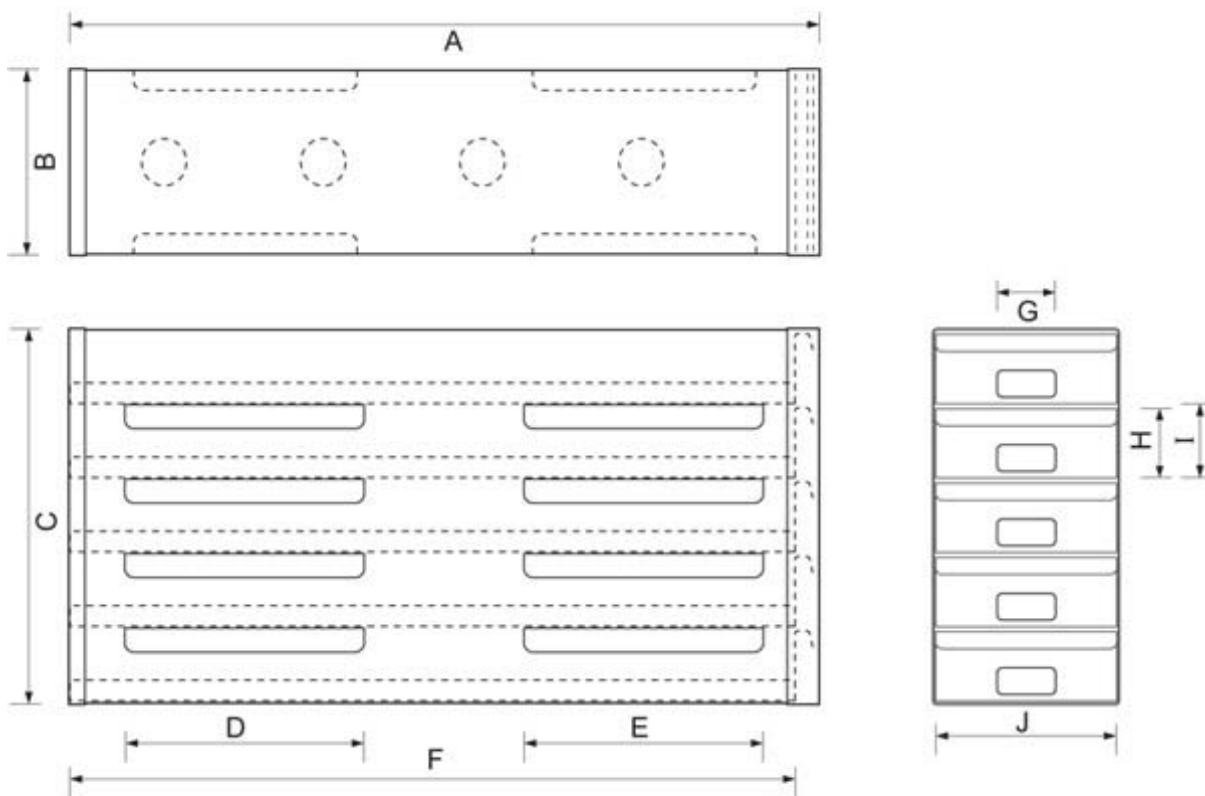
Cat #	Description	A	B	C	D	E	F	G	H	I	J
99-1216	Racks	564	140	225	180	180	545	44	52.1	55.8	136



99-1216

Dimensions=mm

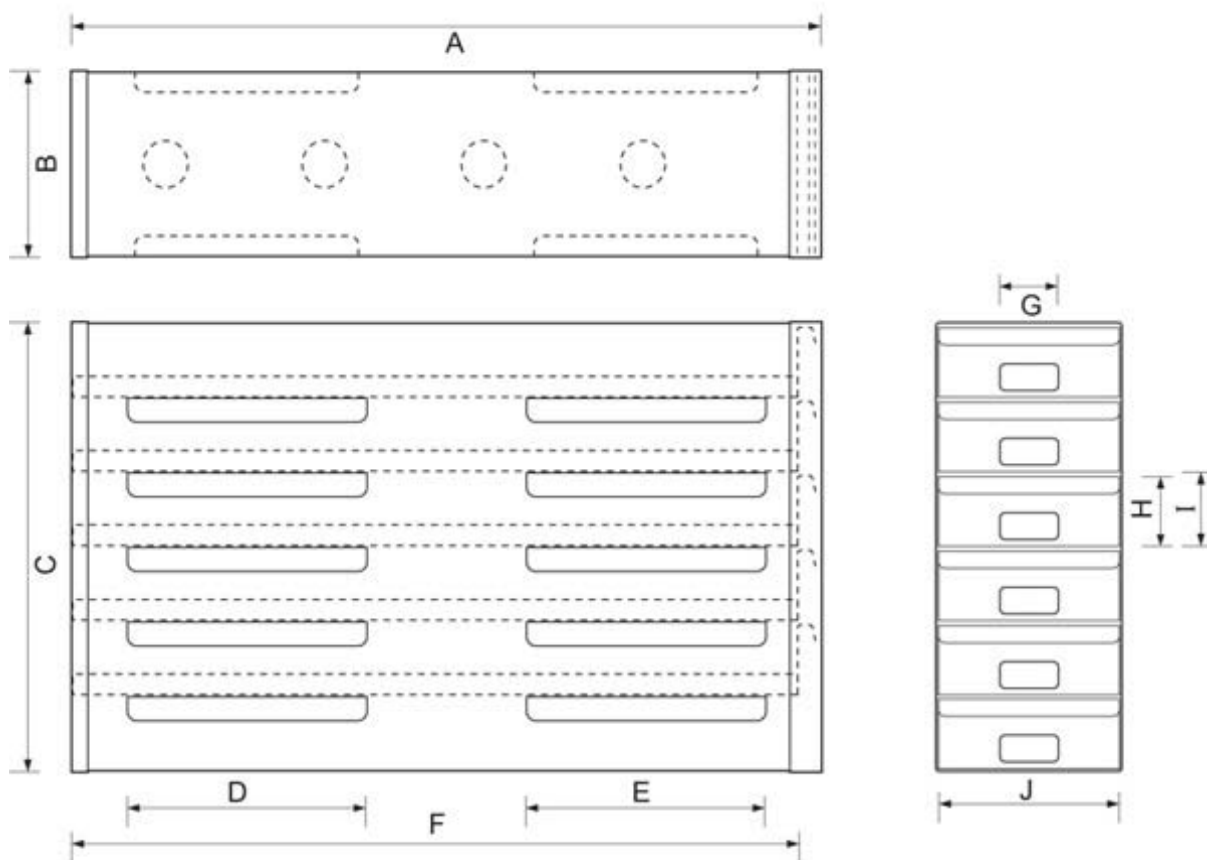
Cat #	Description	A	B	C	D	E	F	G	H	I	J
99-1220	Racks	564	140	282	180	180	545	44	52.1	55.8	136



99-1220

Dimensions=mm

Cat #	Description	A	B	C	D	E	F	G	H	I	J
99-1224	Racks	564	140	335	180	180	545	44	52.1	55.8	136



99-1224